



Sniffer Line SL200

for UL1000/UL1000Fab, UL5000, Modul1000, UL3000/6000:
Catalog-No. 14005 (4 m), Catalog-No. 14006 (15 m)

Cable extension for UL3000/6000 Fab Series: Catalog-No. 551-205

Cable extension for UL3000/6000 Fab Series and SL200 (4 m)
as a set: Catalog-No. 551-210

Product identification

This product applies to sniffer lines with the catalog numbers 14005, 14006 and 551-210.

The catalog number can be taken from the product name plate.

We reserve the right to make technical changes without prior notice.

Intended use

The sniffer line SL200 is used for locating gas leaks on test objects in conjunction with the following leak detectors:

UL1000 / UL1000Fab,

UL5000,

Modul1000,

UL3000 Fab, UL3000 Fab PLUS, UL3000 Fab ULTRA

UL6000 Fab, UL6000 Fab PLUS

Content

1	Safety	5
1.1	General safety instructions	5
1.2	Liability and warranty	5
2	Technical Data	6
3	Design	7
4	Connection	8
5	Maintenance	9
5.1	Replacing the felt discs or the capillary filter	10
5.2	Checking / replacing the sinter filter	10
6	Spare parts	11
7	Options	12
8	Returning the Product	13
9	Disposal	14
10	Declaration of Conformity	16

1 Safety

1.1 General safety instructions

NOTICE

Risk clogging

Liquid can cause clogging of the sniffer tip and line.

Do not aspirate any liquids (e.g. water, adhesive substances).

- Adhere to the applicable regulations and take the necessary precautions for the process media used.
- Before you begin to work, find out whether any vacuum components are contaminated with harmful gas.
- Adhere to the relevant regulations and take the necessary precautions when handling contaminated parts.

Communicate the safety instructions to other users.

1.2 Liability and warranty

INFICON assumes no liability and the warranty becomes null and void if the custodian or third parties

- disregard the information in this document
- use the product in a non-conforming manner
- make any kind of changes (modifications, alterations etc.) to the product not listed in the corresponding product documentation
- use the product with accessories not listed in the corresponding product documentation.

The custodian assumes the responsibility for the process media used.

2 Technical Data

Sniffer line length

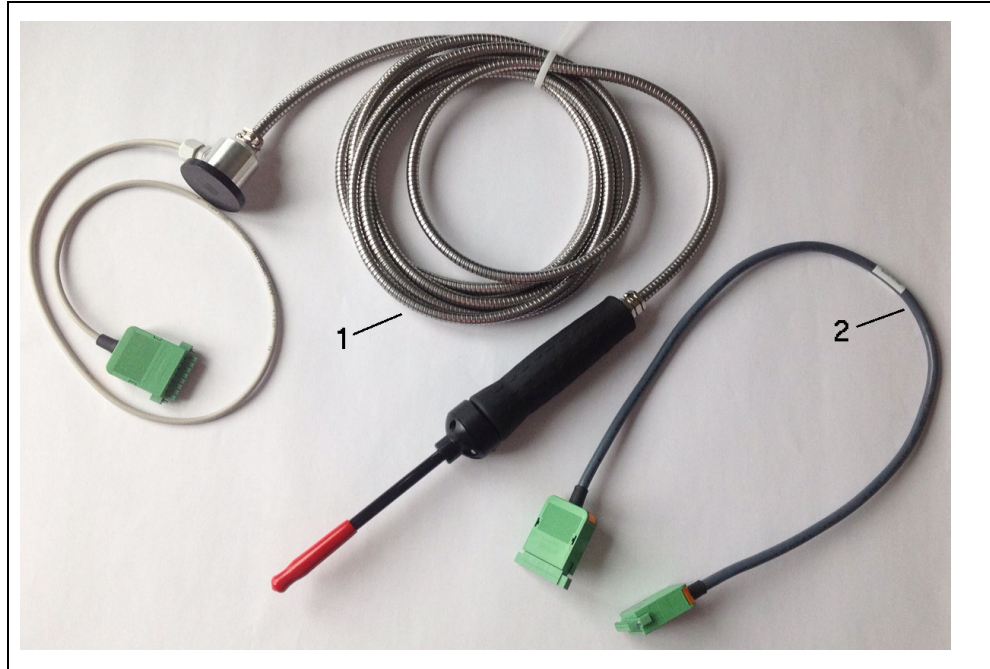


Fig. 1 Sniffer line SL200 in different versions

Pos.	Description
1	Sniffer line SL200, length 4 m (Catalog-No. 14005)
2	Cable extension for the connection to the leak detector UL3000/6000 Fab
	Sniffer line SL200 and cable extension available together (Catalog-No. 551-210)

This sniffer line has an effective length of 4 meters from the KF25 flange to the hand probe.

Pos.	Description
not shown	Sniffer line SL200, length 15 m (Catalog-No. 14006)
2	Cable extension for the connection to the leak detector UL3000/6000 Fab (Catalog-No. 551-205)

Gas throughput

ca. 15...25 sccm

Connection

Vacuum connection:

Flange KF25

Electrical connection:

8-pin coupling plug

3 Design

Technical Handbook

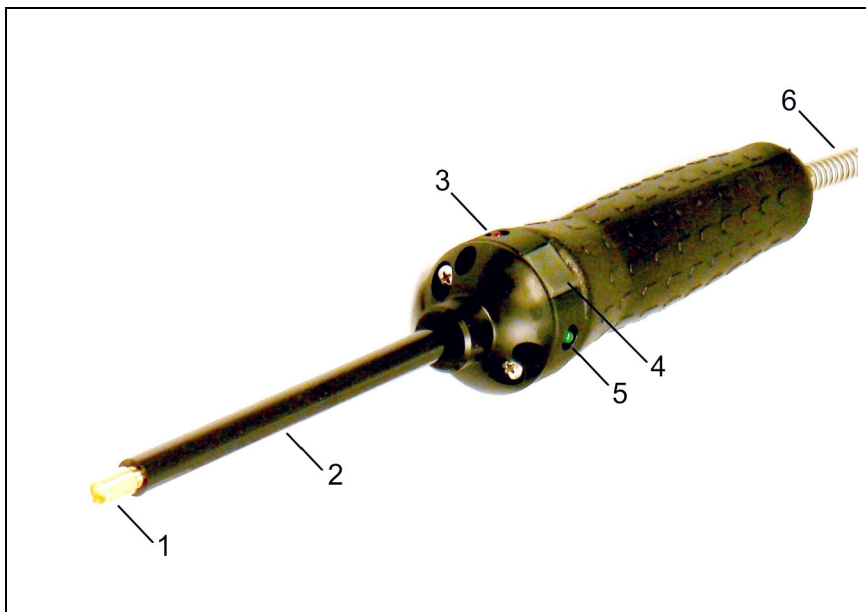


Fig. 2 Sniffer line SL200

Pos.	Description	Pos.	Description
1	Capillary filter	4	Key
2	Sniffer tip, 120 mm length	5	Indicator „ready“ green
3	Indicator „leak“ red	6	Sniffer line

Operating-/Display Element	Function of the leak detector
LED red	Exceeded threshold of leak rate of Trigger 1
LED green	Fallen under threshold of leak rate of Trigger 1
Key	ZERO on / off

The function of the key and the meaning of the display is explained in the Technical Handbook of the leak detector.

(2410)

linc10en1-02

4 Connection



Fig. 3 Sniffer line with flange KF25 and 8-pin plug

Pos.	Description
1	Flange KF25
2	8-pin plug



Caution

To avoid damage switch off the leak detector at the mains before mounting the sniffer line.

- Connect the sniffer line SL200 with the flange KF25 to the inlet port of the leak detector.
- Then connect the 8-pin plug of the sniffer line SL200 with the built-in plug "Option" of the leak detector.

Now the sniffer line is ready to work.

5 Maintenance

Sniffer probe clogged

Clogging of the sniffer probe may be due to:

- Clogging of capillary filter: refer to Chapter 5.1
- Clogging of sinter filter: refer to Chapter 5.2
- Cloggin of sniffer probe capillary → replace sniffer tip
- Damage of sniffer tip → replace sniffer tip
- Clogging / damage of sniffer line → replace sniffer tip

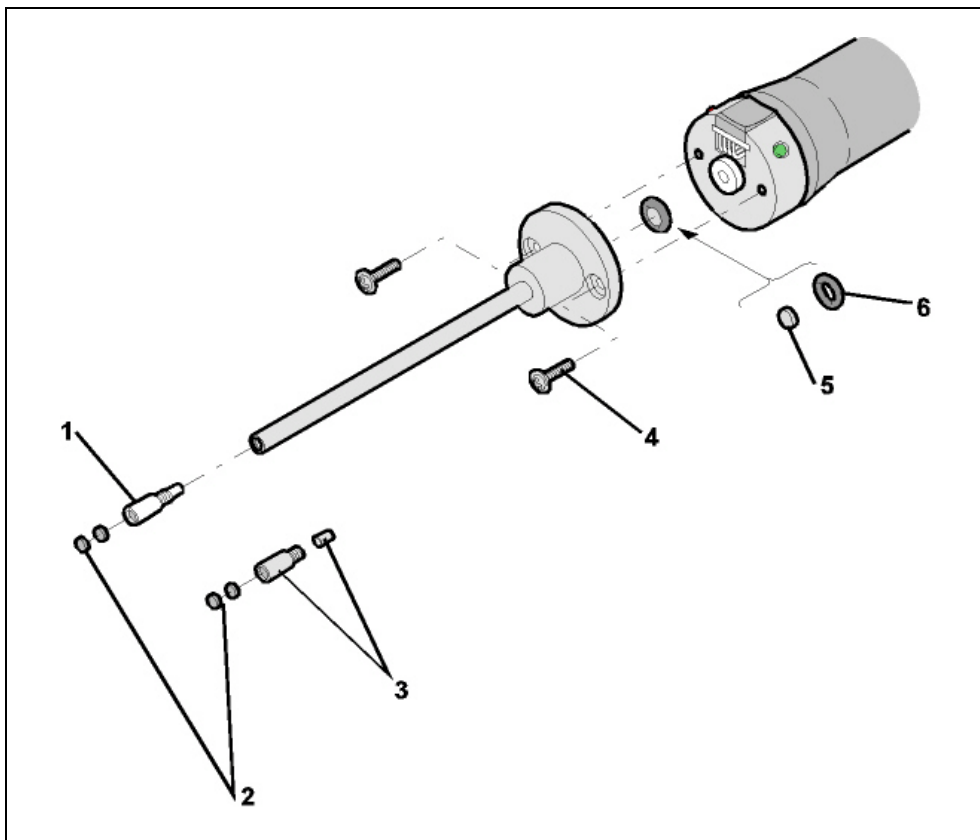


Fig. 4 Sniffer tip

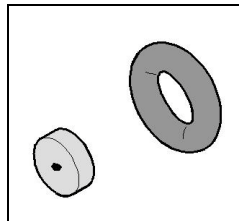
Pos.	Description	Pos.	Description
1	Capillary filter (plastic version; standard)	4	Phillips screws
2	Felt discs	5	Sinter filter
3	Capillary filter (Metallic version with seal, option)	6	Seal

5.1 Replacing the felt discs or the capillary filter

- Switch the leak detector off or disconnect the sniffer line.
- Remove dirty felt discs by means of tweezers and replace them.
or
- unscrew capillary filter and replace it.
(If using the metallic version, do not forget the seal.)

5.2 Checking / replacing the sinter filter

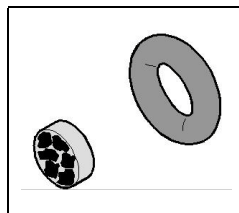
- Switch the leak detector off or disconnect the sniffer line.
- Remove the two Phillips screws.
- Remove the sinter filter with the seal.
- Visually check the filter for contamination:



not / only slightly contaminated

Continue to use the sinter filter together with the seal.

Fig. 5



severely contaminated

Replace sinter filter and the seal.

Fig. 6

- Reinstall the sniffer tip.
- Now you can use the sniffer line again.

6 Spare parts

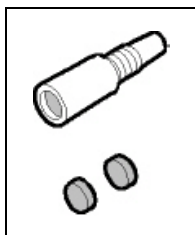


Fig. 7

Description	Order no.
Capillary filter Plastic standard version (5 pcs.)	200 035 01
Felt discs for capillary filter (50 pcs.)	200 001 116

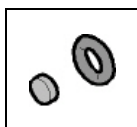


Fig. 8

Description	Order no.
Sinter filter, with seal; (5 pcs.)	200 035 00

7 Options

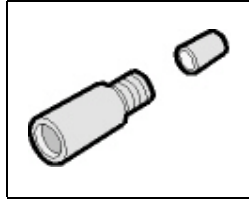


Fig. 9

Description	Order no.
Capillary filter Metal version for rough duty, with seal (1 piece)	122 17

Sniffer tip, rigid / flexible

	rigid	flexible
L1	Cat.-No.	Cat.-No.
120 mm, 1 piece	122 13	122 14
385 mm, 1 piece	123 15	122 16

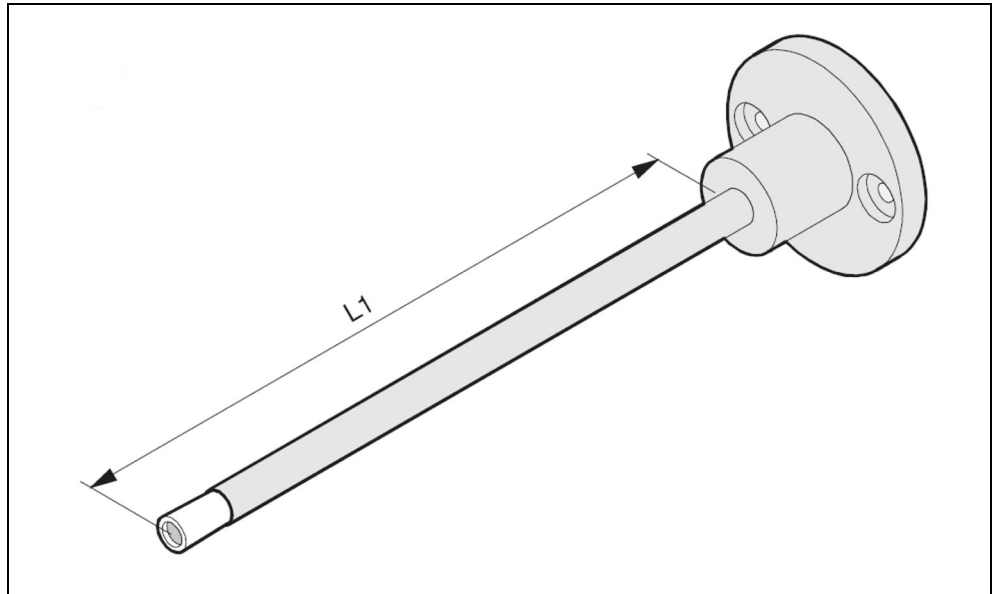


Fig. 10

8 *Returning the Product*



Caution

Forwarding contaminated products.

Contaminated devices could endanger the health. The contamination declaration serves to protect all persons who come into contact with the device.

- Fill in the declaration of contamination completely.

Products not accompanied by a completed declaration of contamination are returned to the sender.

- Please contact the manufacturer and send a completed declaration of contamination before sending anything to us. You will then receive a return number.
- Use the original packaging when returning.
- Before sending the device, attach a copy of the completed contamination declaration. See below.

9 Disposal



Caution

Contaminated parts can be detrimental to health.

Before you begin to work, find out whether any parts are contaminated.

Adhere to the relevant regulations and take the necessary precautions when handling contaminated parts.

Separating the components

After disassembling the product, separate its components according to the following criteria:

1 Components exposed to process gases

Components which have been exposed to radioactive, toxic, caustic, or microbiological process gases must be disposed of in accordance with the relevant national regulations.

2 Components not exposed to process gases

Such components must be separated according to their materials and recycled.



Declaration of Contamination

The service, repair, and/or disposal of vacuum equipment and components will only be carried out if a correctly completed declaration has been submitted. Non-completion will result in delay.
This declaration may only be completed (in block letters) and signed by authorized and qualified staff.

1 Description of product

Type _____

Article Number _____

Serial Number _____

2 Reason for return

3 Operating fluid(s) used (Must be drained before shipping.)

4 Process related contamination of product

toxic	no <input type="checkbox"/> 1)	yes <input type="checkbox"/>	
caustic	no <input type="checkbox"/> 1)	yes <input type="checkbox"/>	
biological hazard	no <input type="checkbox"/>	yes <input type="checkbox"/> 2)	
explosive	no <input type="checkbox"/>	yes <input type="checkbox"/> 2)	
radioactive	no <input type="checkbox"/>	yes <input type="checkbox"/> 2)	
other harmful substances	no <input type="checkbox"/> 1)	yes <input type="checkbox"/>	

2) Products thus contaminated will not be accepted without written evidence of decontamination!

The product is free of any substances which are damaging to health

yes

5 Harmful substances, gases and/or by-products

Please list all substances, gases, and by-products which the product may have come into contact with:

Trade/product name	Chemical name (or symbol)	Precautions associated with substance	Action if human contact

6 Legally binding declaration:

I/we hereby declare that the information on this form is complete and accurate and that I/we will assume any further costs that may arise. The contaminated product will be dispatched in accordance with the applicable regulations.

Organization/company _____

Address _____ Post code, place _____

Phone _____ Fax _____

Email _____

Name _____

Date and legally binding signature _____ Company stamp _____

This form can be downloaded from our website.

Copies:
Original for addressee - 1 copy for accompanying documents - 1 copy for file of sender

Fig. 11 Declaration of contamination

10 Declaration of Conformity



EU Declaration of Conformity

We – INFICON GmbH - herewith declare that the products defined below meet the basic requirements regarding safety and health and relevant provisions of the relevant EU Directives by design, type and the versions which are brought into circulation by us. This declaration of conformity is issued under the sole responsibility of INFICON GmbH.

In case of any products changes made, this declaration will be void.

Designation of the product:

Sniffer Probe

Models: **SL200**

Catalogue numbers:

14005

14006

551-210

The products meet the requirements of the following Directives:

- **Directive 2011/65/EU (RoHS)**


Applied harmonized standards:

- **EN IEC 63000:2018**

Cologne, August 18st, 2023

p.p. 
Dr. H. Bruhns, Vice President LDT

Cologne, August 18st, 2023


pro
S. Sauerwald, Research and Development

INFICON GmbH
Bonner Strasse 498
D-50968 Cologne
Tel.: +49 (0)221 56788-0
Fax: +49 (0)221 56788-90
www.inficon.com
E-mail: leakdetection@inficon.com



INFICON GmbH, Bonner Strasse 498, D-50968 Cologne, Germany
Phone: +49 (0)221 347-40 Fax: +49 (0)221 347-41429 E-mail: leakdetection@inficon.com

UNITED STATES TAIWAN JAPAN KOREA SINGAPORE GERMANY FRANCE UNITED KINGDOM HONG KONG
Visit our website for contact information and other sales offices worldwide. www.inficon.com

Dokument: linc10en1-04-(2410)