

1

2

3

4

A

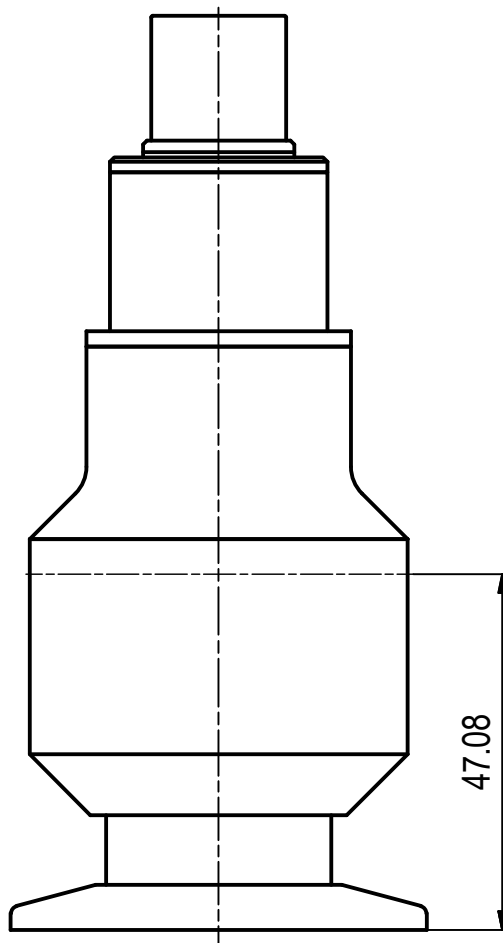
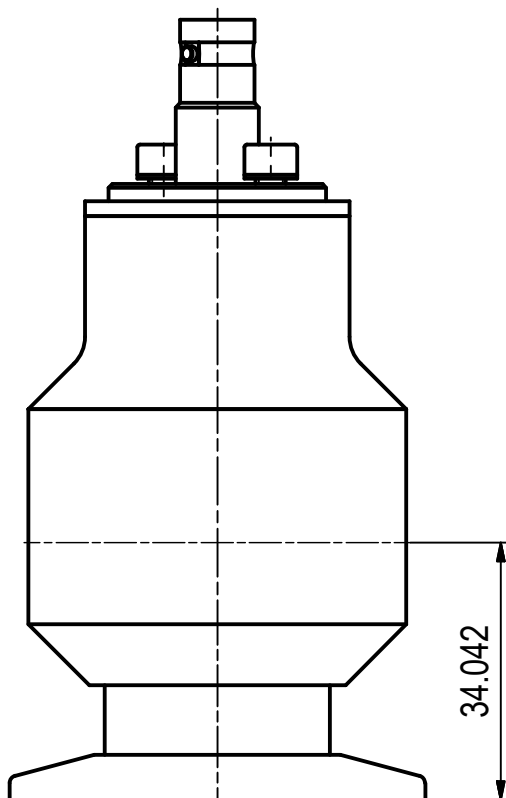
Version Koax 084Version Triax 085/086

B

C

D

E



|              |   |                  |   |            |                  |   |                                    |             |                 |         |  |
|--------------|---|------------------|---|------------|------------------|---|------------------------------------|-------------|-----------------|---------|--|
|              | Datum/Date                                      | Ersteller/Author | Abt./Dept.                                      | Datum/Date | Geprueft/Checked | Reinigung nach WN203<br>Cleaning acc. to WN203E |                                    |             |                 |         |  |
|              |   |                  |   |            |                  | -   | Sauberkeitsstufe<br>Cleaning level | -           |                 |         |  |
| Vers.        | Aenderung/Modification                          |                  |   |            |                  | Feld/Zone                                       |                                    |             |                 |         |  |
|              | -   |                  | -   |            |                  |   |                                    |             |                 |         |  |
|              | Material Nr./No.                                |                  | Material Bezeichnung/Designation                |            |                  | Ausgangsteil/Initial part                       |                                    |             |                 |         |  |
| Projection E | 05.02.2019                                      | Philip Rahn      | DP  |            |                  |   |                                    |             |                 |         |  |
|              | Datum/Date                                      | Ersteller/Author | Abt./Dept.                                      | Datum/Date | Geprueft/Checked | Aehnlich wie/Similar to                         |                                    |             |                 |         |  |
| F            | <b>INFICON</b><br>INFICON AG<br>LI-9496 Balzers |                  | <b>Gravity IKR08x</b><br><b>IKR 084,085,086</b> |            |                  | 2:1   | A4                                 | 1           | 1               |         |  |
|              |   |                  |   |            |                  | M.stab/Scale                                    | Form.                              | Blatt/Sheet | Blaetter/Sheets | 305-970 |  |