

## Edge<sup>®</sup> CDG045D2

### Heated Capacitance Diaphragm Gauge

INFICON Edge Capacitance Diaphragm Gauge is a highly accurate vacuum measurement instrument designed for harsh manufacturing environments. The proven temperature controlled, corrosion resistant, ultra-pure ceramic sensor provides superior span stability over many years paired with state-of-the-art zero stability. Edge comes with the INFICON patented unique sensor shield, which protects the gauge from undesired process by-products. Advanced electronics offer a wide range of configurable signal conditioning for all applications and optional EtherCAT<sup>®</sup> fieldbus interface. The innovative heating concept enables a cool to the touch surface and saves valuable tool space.

INFICON Edge is the smallest vacuum measurement instrument of its kind.



#### ADVANTAGES

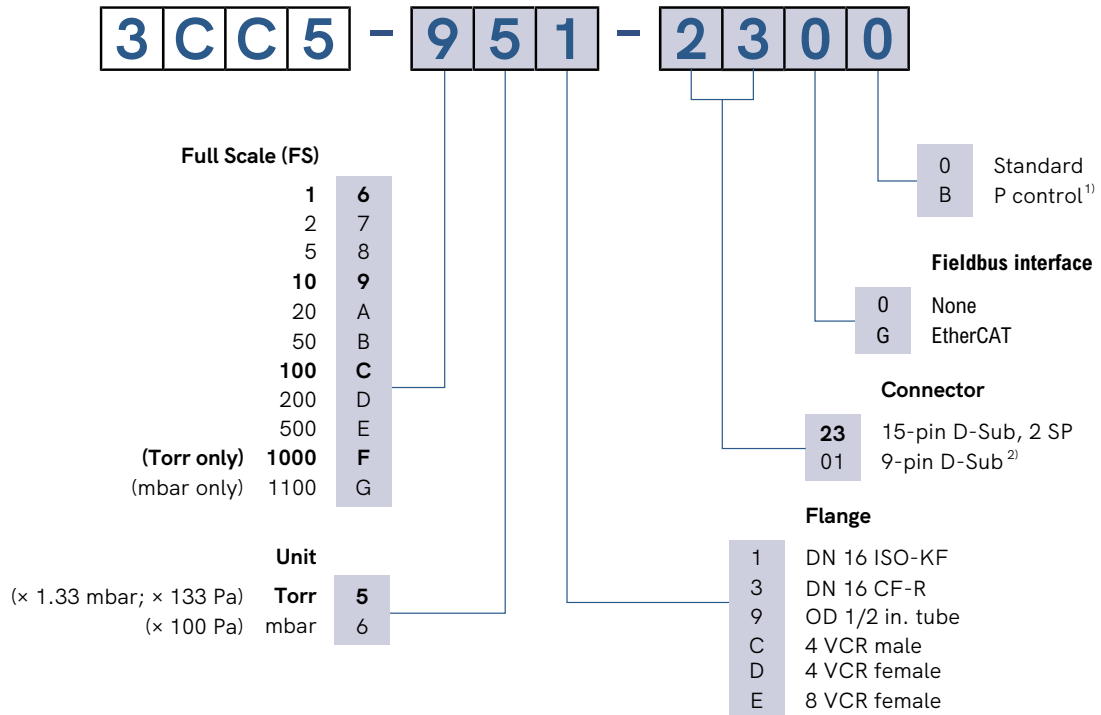
- Compact, saves valuable tool space
- Easy integration, EtherCAT, wide variety of full scales and flanges, standard with two set points
- Easy one push button or remote signal zero command, zero offset adjustable
- Diagnostic port for quick service and maintenance
- Two year warranty, longer life time with advanced heating concept and gauge protection.
- No long term recalibration due to excellent signal stability and repeatability, even in harsh plasma applications
- Compliance and standards: CE, EN, UL, SEMI, RoHS

#### APPLICATIONS

- CVD, Etch, PVD and other semiconductor production processes

# Edge<sup>®</sup> CDG045D2

## ORDERING INFORMATION



- 1) Optimized signal filter setting for pressure control
- 2) Not possible with fieldbus interfaces

bold = standard products

Other flange types on request.

## Edge<sup>®</sup> CDG045D2

### SPECIFICATIONS

Full scale (FS) Torr / mbar	1000 / 1100 ... 200	100 ... 1
Accuracy <sup>1)</sup>	0.2 % of reading	
Temperature effect		
On zero	0.0025 % FS / °C	
On span	0.02 % of reading / °C	
Pressure, max. (absolute)	400 kPa	260kPa
Response time <sup>2)</sup>	30 ms	
Resolution	0.003 % FS	
Lowest reading	0.01 % FS	
Lowest suggested		
Reading	0.05 % FS	
Control pressure	0.5 % FS	
Temperature		
Operation (ambient)	+10 ... +40 °C	
Bakeout at flange	≤110 °C	
Storage	-20 ... +65 °C	
Supply voltage	+14 ... +30 V (dc) or ±15 V (±5%)	
Power consumption		
During Heat up	≤12 W	
At operating temperature	≤8 W	
Output signal (analog)	0 ... +10 V (dc)	
Degree of protection	IP 40	
Standards		
CE conformity	EMC (EN 61000-6-2, EN 61000-6-3), EN 61010-1 and RoHS	
ETL certification	UL 61010-1, CSA 22.2 No. 61010-1	
SEMI compliance	SEMI S2	
Electrical connection	D-sub, 15-pin, male	
Setpoint		
Number of setpoints	2 (SP1, SP2)	
Relay contact	≤30 V (dc) / ≤0.5 A (dc)	
Hysteresis	1 % FS	
Diagnostic port		
Protocol	RS232-C	
Read	pressure, status, ID	
Set	setpoints, filter, zero adjust, factory reset, DC offset	
Materials exposed to vacuum	ceramics (Al <sub>2</sub> O <sub>3</sub> ), stainless steel (AISI 316L)	
Internal volume	≤6.8 cm <sup>3</sup>	
Weight	540 ... 610 g	

<sup>1)</sup> Non-linearity, hysteresis, repeatability at 25°C ambient operating temperature without temperature effects after two hours operation

<sup>2)</sup> Increase 10 ... 90% FS

# Edge<sup>®</sup> CDG045D2

## DIMENSIONS

