

Augent[®] OPG550

Optical Plasma Gauge

The INFICON Augent[™] Optical Plasma Gauge OPG550 is an intelligent solution for vacuum monitoring. Augent[™] OPG550 combines two sensor technologies into one compact device for gas type monitoring from 1×10^{-7} to 5 mbar and to measure total pressure from atmosphere to 1×10^{-7} mbar at the same time. Augent[™] OPG550 is protected by an integrated Pirani sensor to switch off plasma above 20 mbar.

In the measurement range between 1×10^{-7} and 5 mbar the gauge allows the detection of gas composition.



ADVANTAGES

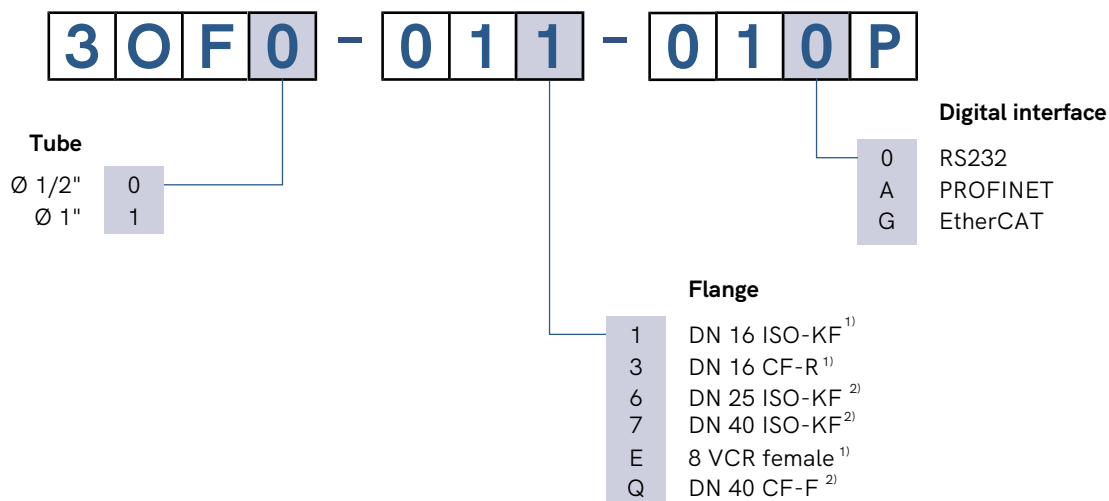
- High speed chamber leak tests
- Increase of productivity and yield
- Long life time, no filament burns, air inrush protection
- Withstand process chemistry
- Smart algorithm for easy integration
- Compact design and small footprint
- Reliable and fast start up

APPLICATIONS

- Chamber leak check, faster RoR (rate of rise) test
- Leak check to find internal leaks from gas supply lines
- Real time end point control
- Gas type and gas concentration control

Augent[®] OPG550

ORDERING INFORMATION



- 1) With option 1/2" tube only
2) With option 1" tube only

Replacement sensor	OPG550 1/2" tube
DN 16 ISO-KF	351-594
DN 16 CF-R	351-595
8VCR, female	351-596

Replacement sensor	OPG550 1" tube
DN 25 ISO-KF	351-597
DN 40 ISO-KF	351-598
DN 40 CF-F	351-599

Accessories	
Power Supply, OPG550, RS232 / Analog Out	351-051
Cleaning kit	351-052
Ionisation chamber TI	351-055
Diagnostic cable RS232C; 9p-Dsub - phone jack 2.5mm (2m)	303-333
MxG40x/50x, OPG550 Spare ignition aid (set of 10 pcs)	351-995
Centering ring DN 16 ISO-KF, Inox / FPM	211-066
Centering ring DN 25 ISO-KF, SS / FPM	211-068

Augent[®] OPG550

Accessories

Clamping ring DN 20 - 16 ISO-KF	211-001
Clamping ring DN 20 - 25 ISO-KF	211-002
Copper seal DN 16 CF (set of 10 pcs)	213-451

Augent[®] OPG550

SPECIFICATIONS

Total pressure measurement

OPG550

Measurement system	Cold cathode according inverted magnetron principle and thermal conductivity according pirani principle
Measurement range (N ₂)	1 × 10 ⁻⁷ ... 1000 mbar 0.75 × 10 ⁻⁷ ... 750 Torr
Accuracy total pressure reading (N ₂)	
1 × 10 ⁻⁷ ... 100 mbar	30% of reading
100 ... 1000 mbar	50% of reading
Repeatability total pressure reading (N ₂)	
1 × 10 ⁻⁷ ... 100 mbar	5 % of reading

Gas analysis

OPG550

Measurement system	Optical emission spectroscopy with integrated DC discharge plasma, spectrometer and intelligent electronics
Measurement range (N ₂)	1 × 10 ⁻⁷ ... 5 mbar 7.6 × 10 ⁻⁸ ... 3.8 Torr
Detection limit 25 liter chamber	
O ₂ leaks in pressure rise method	≥0.3 mTorr / min
O ₂ leaks during pump down from atmosphere with N ₂ backfill	≥1 mTorr / min
Sampling frequency	<10 Hz
Typical exposure time	5 ... 1000 ms
Spectral range	313 ... 870 nm

General

OPG550

Pressure	
Limited to inert gases <50°C	≤10 bar (absolute)
Temperature	
Operation (ambient)	+5 ... +50 °C
Storage	-20 ... +70 °C
Bakeout at flange with electronic unit	≤80 °C
Bakeout at flange w/o electronic unit	≤120 °C
Relative humidity for 30 days a year	≤95% (non-condensing)
Supply voltage	
At gauge	+14.5 ... +30 V (dc)
Ripple	≤1 V (p-p)
Power consumption	≤5 W
Fuse to be connected	≤1 AT

Augent[®] OPG550

General	OPG550
Output signal	
Analog	0 ... +10 V (dc)
Digital	RS232C
Electrical connection	D-Sub, 9-pin, male
High voltage (in the measuring chamber)	
Ignition voltage	≤4.5 kV
Operating voltage	≤3.3 kV
Materials expose to vacuum	
General	Al ₂ O ₃ , stainless steel 1.4435
Anode	Molybdenum
Ionization chamber	Titanium, stainless steel 1.4016
Ignition aid	Stainless steel 1.4310
Vacuum flange	
1/2" tube (spiral baffle)	DN16 ISO-KF DN16 CF-R 8VCR, female
1" tube (standard baffle)	DN25 ISO-KF DN40 ISO-KF DN40 CF-F
Internal volume	≤46 m ³ (2.81 inch ³)
Weight	≤700 g
Dimensions	
Footprint	68 × 68 mm
Height	≤154 mm
Protection type	IP40
Standards	CE
Serviceability	Sensor cell is field replaceable, cleanable optical window

Augent[®] OPG550

SPECIFICATIONS INTERFACES

EtherCAT[®]

Protocol	EtherCAT [®]
Communication standards	Semiconductor Device Profile ETG.5003 Part 1 Common Device Profile ETG.5003 Part 2080 "Specific Device Profile - Vacuum Pressure Gauge"
Process Data	Fixed PDO mapping and configurable PDO mapping
EtherCAT connector	RJ45, 8-pin (socket), IN and OUT
Cable	Shielded Ethernet CAT5e or higher
Cable length	≤100 m (330 ft.)
Data rate	100000 Kbps

PROFINET[™]

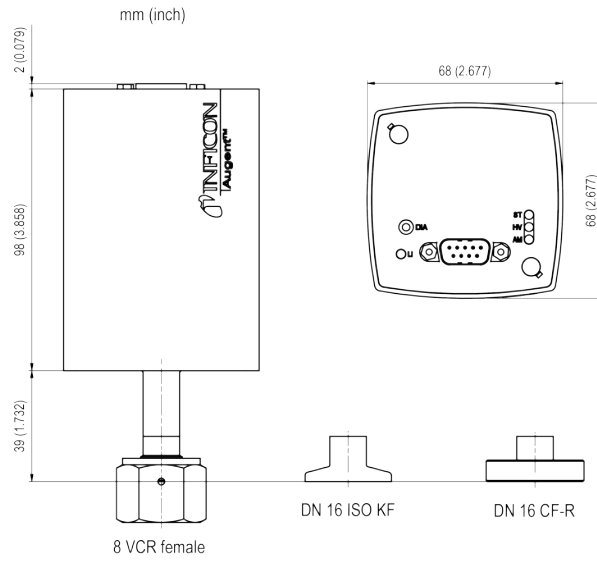
Communication protocol	protocol specialized for PROFINET
Physical Layer	100BASE-Tx (IEEE 802.3)
Digital functions	
read	pressure, status, ID
set	set points, filter, zero adjust, reset, DC offset
Profinet connector	2 × RJ45, 8-pin (socket), IN and OUT
Cable	Special Ethernet Patch Cable or Crossover Cable, shielded (CAT5e quality or higher)
Cable length	≤100 m (330 ft.)
Data rate	100000 Kbps

Augent[®] OPG550

DIMENSIONS

1/2" tube (spiral baffle)

mm (inch)



Augent[®] OPG550

1" tube (standard baffle)

mm (inch)

