

## VSC150A

### Vacuum Switch

The INFICON Vacuum Switch VSC150 is an absolute pressure switch with an adjustable electrical switching contact from 0.5 to 2000 mbar. The mechanical design allows short term overload of 3000 mbar without impairing the switching accuracy of  $\pm 0.1$  mbar. INFICON offers customer specific adjustment of pressure switch.



#### ADVANTAGES

- High switching accuracy ( $\pm 0.1$  mbar)
- Stable long term operating characteristics
- Rugged, corrosion protected design
- Increased switching capability when using switching amplifier
- Switching contacts (normally closed) in the reference chamber and thus protected against process media
- Adapter available for differential pressure measurement

#### APPLICATIONS

- Pressure switch or differential pressure switch to control valves, pumps, power supplies
- Load lock chambers
- Process chambers

# VSC150A

## ORDERING INFORMATION

<b>Type</b>	<b>VSC150A</b>
DN 16 ISO-KF	<b>399-005</b>

<b>Accessories</b>	
SV Switching Amplifier	<b>399-008</b>
Pressure Switch Adjustment	<b>399-006</b>
Differential Pressure Adapter	<b>399-007</b>

## VSC150A

### SPECIFICATIONS

VSC150A Vacuum Switch	
Switching range	0.5 ... 2000 mbar
Response sensitivity	0.1 mbar
Overload limit	3000 mbar
Switching hysteresis	0.5 mbar
Temperature	
Operation (ambient)	5 ... 90 °C
Storage	-20 ... 70 °C
Bakeout (max. 8 h)	120 °C
Coefficient of switch point	0.4 % / K of switching value
Vacuum connection	DN 16 ISO-KF
Electrical connection	Protected plug (DIN 43650)
Switch	n.c.
Switching voltage	24 V
Switching current	10 mA
Contact resistance	<1 Ω
Protection category	IP 65
Materials in contact with the medium	
Sensing volume	Stainless steel 1.4301, 1.4401, 1.4310, 1.3541, FPM75
Reference volume	Stainless steel 1.4301, 1.4401, 1.3541, glass, gold
Sensing volume <sup>1)</sup>	≈4 cm <sup>3</sup>
Reference volume	≈20 cm <sup>3</sup>
Weight	1.3 kg

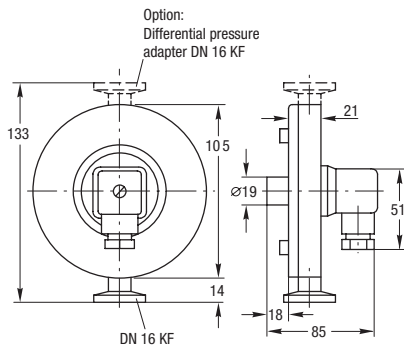
<sup>1)</sup> Including connection port

SV Switching Amplifier	
Mains supply (selectable)	110 ... 130 V, 220 ... 240 V
Mains frequency	50 / 60 Hz
Power consumption	3 VA
Output relay	Change over contact
Switching voltage	250 V
Switching current	5 A
Switching capacity	500 VA
Response time	30 ms
Release time	7 ms
Control circuit	24 V / 10 mA
Operation temperature	5 ... 50 °C
Weight	0.36 kg

# VSC150A

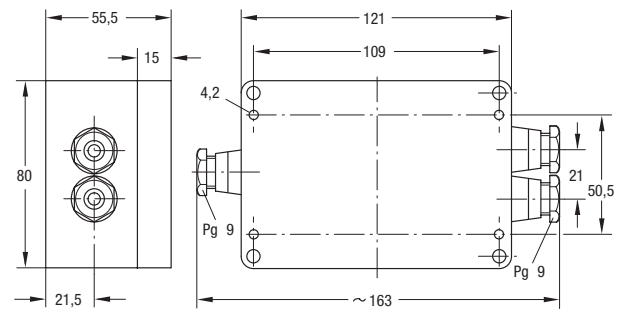
## DIMENSION

### VSC150A Vacuum Switch



mm

### SV Switching Amplifier



mm